

178601

ZP755W-2R Weatherproof Sounder (RED)

General

The ZP755W-2R is an addressable, weatherproof sounder designed for use on ZP7 compatible addressable fire detection and alarm systems. The sounder is developed for outdoor applications or for use in areas where the ingress of water can be expected e.g. where hygiene requirements demand regular washing of the protected area.

Installed onto and powered by the detection loop, the ZP755 series gives the system designer the flexibility to offer a complete addressable system on 2 wires. Installation costs are thereby greatly reduced whilst system integrity, sounder options and programmed alarm organisation are maintained.

Self Test

The high efficiency acoustic design together with a low energy 'sound gun' transducer provides a forward sound dispersion with an output of up to 95 dB(A). A volume control is included for areas where a reduced sound output is required. The volume control can limit the sound output by up to 75% of the full output volume.

The ZP755 series features a unique self test facility which is automatically activated during sounder testing. A built in microphone measures the SPL and automatically flags the sounder address and location to the control panel should volume fall below the expected test level.

Flexibility

In systems with long loop lengths or high current requirements, ZP755 sounders may be powered from an external power supply. All ZP755 sounders incorporate switch settings enabling them to be assigned a unique address which is polled by the panel every 2 seconds. Continuous, intermittent and two-tone outputs are available from which any combination can be chosen to provide alert and evacuate, two stage alarms. All sound types comply with BS5839 Part 1 recommended frequencies.

Sounder enclosures are of molded, high impact, red thermoplastic designed for surface wiring.



Details

- IP33C rated for outdoor applications
- User configurable tone selection facilitates alarm differentiation
- 90 dB(A) sound pressure output levels for wide application coverage
- Automatic self test facility ensuring that the device is always operational
- High efficiency sound gun transducer ensures low current consumption for better power distribution and loop loading
- EN54:3 approved and CPR certified

178601

ZP755W-2R Weatherproof Sounder (RED)

Technical specifications

General

Compatibility	ZP7 series addressable systems
Line monitoring	Open & short circuit, sound output, presence, type
Devices per loop (max)	50 (1 km loop of 1.5 mm ² cable, 50 m to first device)
Addressing method	7 way dipswitch

Electrical

Operating voltage	19.5 to 20.5 V (Loop powered) 18 to 30 VDC (Externally powered)
Current consumption	820 µA (Quiescent when loop powered) 6.4 mA (Active when loop powered) 470 µA (Quiescent when externally powered) 500 µA (Active when externally powered)

Sounder

Output level	90 dB(A) (Tone dependent)
Output level adjustment	Yes
Selectable tones	Yes

Physical

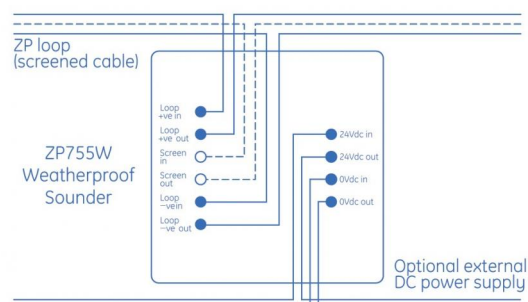
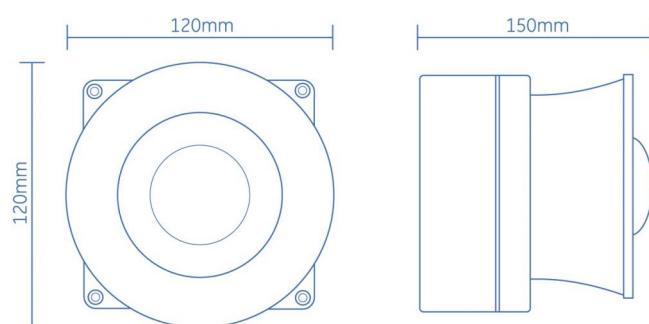
Physical dimensions	120 x 150 mm (Ø x H)
Net weight	610 g
Colour	Red
Mounting type	Ceiling mount, Wall mount
Cable size	1.5 mm ²
Material	Moulded thermoplastic

Environmental

Vandal proof	No
Operating temperature	-25 to +70°C
Storage temperature	-25 to +70°C
Relative humidity	10 to 95% noncondensing
Environment	Outdoor
IP rating	IP33C

Standards & regulation

Compliance	CE, REACH, RoHS 2, WEEE
Certification	CPR
Standards	EN54-3



4162-01

As a company of innovation, UTC Fire & Security reserves the right to change product specifications without notice. For the latest product specifications, visit UTC Fire & Security online or contact your sales representative.

Last updated on 10 August 2020 - 15:59

