

# 2202AU\*-LCXB

## Floor mount overhead door contact with stainless steel armored cable

### Overhead Door Magnetic Contact

---

The Sentrol 2200 series overhead door magnetic contact is for use in the rigorous environments of commercial and industrial installations. The floor mount units are constructed with a low profile heavy cast aluminum housing. The reed switch assembly is fully encased in Sentrol's exclusive polyurethane potting material to prevent damage due to moisture or humidity.

### Easy Installation

---

A wide operating gap distance of up to 7.5 cm makes installation easy and helps prevent false alarms caused by door movement or damaged and loose fitting doors.

### Durability and dependability

---

The Sentrol high performance magnetic contacts have been designed to facilitate installation and ensure durability and dependability. Most are conservatively rated at 10,000,000 cycles, guaranteeing a long life. Every reed connection is hand soldered and each magnetic contact is tested before they leave the factory, 100% of the time.

### High quality components and materials

---

Reed legs are plated with rhodium or ruthenium, and hermetically sealed in dry nitrogen. This offers superior protection against sticking and provides a moisture free environment therefore preventing corrosion.



### Details

---

- Miniature, low profile design
- Stainless steel armored cable for added security, reliability
- Wide working gap for overhead doors
- Small size less likely to be damaged by forklifts
- Optional tamper loop (depending on model)

# 2202AU\*-LCXB

## Floor mount overhead door contact with stainless steel armored cable

### Technical specifications

#### General

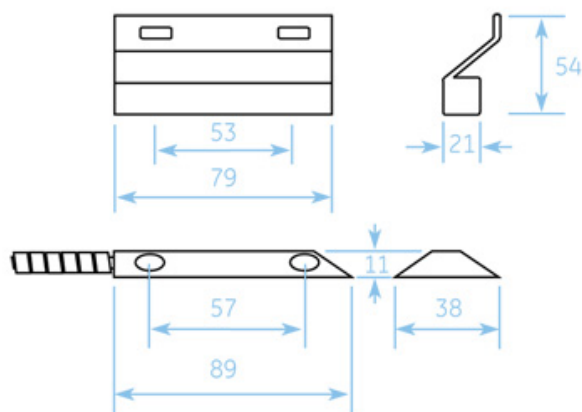
Application type	Overhead
Contact type	NC
Connectivity	90 cm stainless steel armored cable ; supervised loop

#### Wired/wireless

Wired-wireless	Wired
----------------	-------

#### Physical

Colour	Aluminium
Dimensions magnet	79 x 21 x 54 mm
Dimensions contact / sensor	89 x 38 x 11 mm
Operating gap	76 mm (max.)



As a company of innovation, UTC Fire & Security reserves the right to change product specifications without notice. For the latest product specifications, visit UTC Fire & Security online or contact your sales representative.

