



## Product data sheet

# LSP-IN4DRN-RGMWTC

## LSP-4DR 2U NETWORK RACKDRAWER, PREWIRED, TIE WRAP, MNGD, DUAL VOLTAGE POWER

### Overview

The LSP-IN4DRxx-RGMxxx series is a UL and CE listed rackmount system designed to provide both operating power and a mechanical housing for LenelS2 access control components. The unit is intended for mounting within a standard four post EIA 19 inch electronics rack with a maximum depth of 36 inches.

The LSP-RGM-XZ enclosure provide mounting for two LenelS2 and multiple LSP devices in an access control system capable of controlling four doors as a standalone or multiple doors when interconnected. The LSP equipment is provided as part of the LSP-IN4DRxx-RGMxxx enclosure, LenelS2 equipment is provided by the integrator based on the job requirements.

All models are universal input (100 - 240 VAC) with dual voltage operation (12 and 24 VDC), power distribution and control, individual output protection, optional class 2 power limiting, buffered lock control, and optional remote reporting and test. Each output is protected against electrical surges caused by lightning or transients on the external wiring and each control output is individually selectable for available DC voltages, and either fail-safe or fail-secure operation with fire alarm interface.

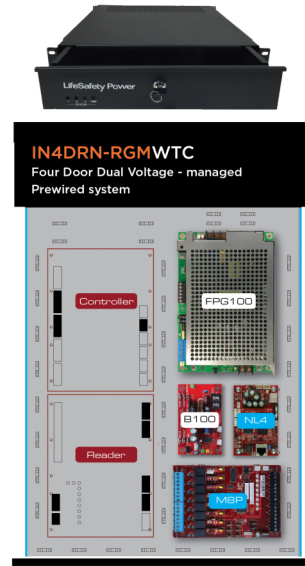
We offer 2 possibilities for cable management : Tie wrap (T) | Panduit (P), and there are 3 possible wiring options being : LNL-X2220/X4420 and LNL-1320-S3 (A suffix) | LNL-X3300 and LNL-1320-S3 (B suffix) | All LNL-1320-S3 (C suffix).

### Network management

Optionally, network reporting capabilities include: operational fault status; power supply output; battery charging voltage; battery charging current, fire alarm input and status of each individual output. In addition to automated and scheduled status reports, diagnostic servicing and battery load tests can be performed remotely, saving or reducing the cost of on-site servicing.

### Product description

This LSP-IN4DRN-RGMWTC rack drawer is a managed model, and is pre-wired for 2x LNL-1320-S3, LNL-1320 interfaces. The rack drawer has tie wrap cable management and is remote network managed. It includes 1x LSP-RGM-XZ, 1x LSP-FPG100, 1x LSP-B100, 1x LSP-M8P, and 1x LSP-NL4.



### Details

- Low battery cutoff protects batteries from deep discharge
- Dedicated fast charger prolongs battery life
- Enhanced surge immunity for input/output protection
- Tight regulation provides long-term lock protection
- Built-in FAI allows unlocking of doors on a fire alarm condition.
- Individual output selection for fail-safe, fail-secure, lock voltage and fire alarm interface.
- UL Listed with LenelS2 controllers as a complete four door system
- Compartmentalized four door power architecture for maximum reliability
- Rack drawer slide assembly simplifies LenelS2 wiring and maintenance
- LNL-X2220 status LEDs on front panel
- Comprehensive wire management with tie down points & "Z" articulating arm
- Easy expansion with multiple rack drawer models
- Available companion battery housing for rackmount use (Model LSP-RBE)
- Lifetime Warranty

# LSP-IN4DRN-RGMWTC

## LSP-4DR 2U NETWORK RACKDRAWER, PREWIRED, TIE WRAP, MNGD, DUAL VOLTAGE POWER

### Technical specifications

#### General

Door support	4
Pre-wired for	2x LNL-1320-S3, LNL-1320 interfaces
Cable guide	Tie-wrapped
Locked with keys	Yes
Network monitoring	Yes
Ethernet data rate	10/100 Mbps
Mounting	Mounting hardware included

#### Electrical

Operating voltage	85-265 VAC Universal Input, 50 / 60Hz
Power consumption	153 W maximum
Protected electronics	No

#### Electrical input

Voltage (operating)	100 - 240 VAC 50 / 60 Hz
---------------------	--------------------------

#### Electrical output

Voltage 12 V mode (on mains power)	2 A at 12 VDC (factory set to 12 VDC and 24 VDC)
Voltage 24 V mode (on mains power)	3 A at 24 VDC (factory set to 12 VDC and 24 VDC)
Max. load current	Allows 1 A per controller panel, >0.50 A per lock.

#### Battery

Battery capacity	40 Ah battery charger
Battery charge	1.1 A
Battery Backup	Autoswitch to battery with zero voltage drop
Battery Backup	Built in fast charger at 1.0 A charge current
Battery Backup	Low power cutoff to prevent battery deep discharge
Battery Backup	Reverse battery protection
Microprocessor	dual rate charging of 12 or 24 VDC batteries

#### Physical

Physical dimensions	480 x 90 x 520 mm 2U rack mount with Z bracket wire management articulating arm
Net weight	8000 gr
Colour	Black powder coat
Material	Steel
Mounting type	Rack mount

#### Environmental

Operating temperature	-20 to +50°C
BTU/hr	85

#### Standards & Regulation

Compliance	CE, RoHS 2, UL, UL 1076, UL 294
------------	---------------------------------

#### Supervision

AC fail	form "C" contacts
System fault	form "C" contacts, may be triggered by: low/no battery, power supply failure, blown fuse
Shutdown	Low power shutdown when battery voltage too low
Low battery and battery presence supervision	form "C" contacts

#### LED Visual Indicators

Power Supply Board	AC On
Power Supply Board	DC output (Bi-Color)
Power Supply Board	System Fault
Power Supply Board	FAI
Front Panel	LNL-X2220, LNL-X4420 controller status LED's

#### Power Distribution

Output	Overload & short circuit protection with auto-restart
Output	Bi-color output LED indicates output voltage
Standard models	8 control outputs Class II Power limited at 2.5 A/each (LSP-C8P distribution board)
Networked models	8 managed outputs Class II Power limited at 2.5 A/each (LSP-M8P distribution board)

#### How to order

LSP-IN4DR-RGM	LSP-4DR 2U RACKDRAWER, DUAL VOLTAGE POWER
LSP-IN4DRN-RGM	LSP-4DR 2U NETWORK RACKDRAWER, MNGD, DUAL VOLTAGE POWER
LSP-IN4DR-RGMWTA	LSP-4DR 2U RACKDRAWER, PREWIRED, TIE WRAP, DUAL VOLTAGE POWER
LSP-IN4DRN-RGMWTA	LSP-4DR 2U NETWORK RACKDRAWER, PREWIRED, TIE WRAP, MNGD, DUAL VOLTAGE POWER
LSP-IN4DR-RGMWTB	LSP-4DR 2U RACKDRAWER, PREWIRED, TIE WRAP, DUAL VOLTAGE POWER
LSP-IN4DRN-RGMWTB	LSP-4DR 2U NETWORK RACKDRAWER, PREWIRED, TIE WRAP, MNGD, DUAL VOLTAGE POWER
LSP-IN4DR-RGMWTC	LSP-4DR 2U RACKDRAWER, PREWIRED, TIE WRAP, DUAL VOLTAGE POWER
LSP-IN4DRN-RGMWTC	LSP-4DR 2U NETWORK RACKDRAWER, PREWIRED, TIE WRAP, MNGD, DUAL VOLTAGE POWER

As a company of innovation, UTC Fire & Security reserves the right to change product specifications without notice. For the latest product specifications, visit UTC Fire & Security online or contact your sales representative.

Last updated on 19 October 2020 - 10:05

