

TVB-5707

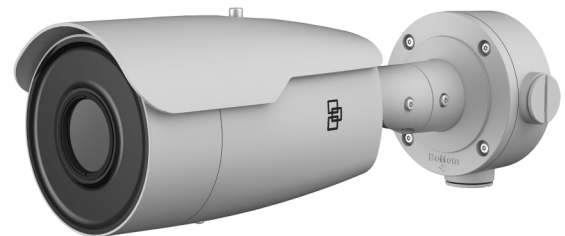
TruVision IP Thermal Bullet Camera, Outdoor, VGA, 25mm Lens, 3D DNR, H.265/ H.264, ONVIF/PSIA, SDHC Card Slot, PoE+/12VDC/24VAC

Overview

TruVision thermal cameras provide a solution for perimeter detection applications and high security monitoring in challenging lighting conditions.

The camera features built in analytics such as intrusion zone, cross line, region entrance and region exit detection. It also includes temperature monitoring for critical infrastructure.

TruVision thermal cameras can be used in combination with a variety of TruVision and UltraView recording platforms, as well as any third party platform using Onvif or CGI connectivity.



Details

- H.265 compression
- Uncooled thermal sensor
- Long range object detection
- IP66 rating for outdoor installation
- 50fps high frame rate support
- Embedded analytics for perimeter protection application
- Dual IP & analog video output
- PoE+ support
- SD card support for edge recording

TVB-5707

TruVision IP Thermal Bullet Camera, Outdoor, VGA, 25mm Lens,3D DNR, H.265/ H.264, ONVIF/PSIA, SDHC Card Slot, PoE+/12VDC/24VAC

Technical specifications

General

Technology	IP, Thermal
Video standard	PAL
OSD	Text Overlay
Image settings	Mirror
Video output	BNC Composite PAL 1.0 Vp-p @ 75 Ohm

Camera

Total Pixels (H x V)	640 x 512
Image sensor	Vanadium Oxide Uncooled Focal Plane Arrays
MRAD	0.68 mrad
Minimum focal distance	13 m
Maximum detection range	2,255m (vehicle) / 735m (human)
Maximum recognition range	564m (vehicle) / 184m (human)
Maximum identification range	282m (vehicle) / 92m (human)
Colors	14 pseudo colors adjustable

Lighting performance

WDR type	True WDR
WDR	120dB
Digital noise reduction	3D NR

Encoding

Video streams	3
Main stream compression	H.264, H.265, MJPEG, MPEG4
Sub stream compression	H.264, H.265, MJPEG, MPEG4
Max. resolution @ fps	640 x 512 @ 50fps

Lens

Lens type	Fixed
Focal length	25 mm
f-stop	1.0
Field of View	24.55° x 19.75°

Network

Integration	CGI, ONVIF, PSIA
Supported network protocols	802.1x, DDNS, DHCP, DNS, FTP, HTTP, HTTPS, ICMP, IGMP, IPv4, IPv6, NTP, PPPoE, QoS, RTP, RTSP, SMTP, SNMP, TCP, UDP

Audio

Audio compression	G.711a, G.711u, G.722, G.726
Audio in	1 Mic in/Line in interface, line input: 2-2.4V[p-p]; output impedance: 1KΩ, ±10%
Audio out	1 Audio output interface, line level, impedance: 600Ω

Alarm I/O

Alarm inputs	2
Alarm outputs	2

Storage

Local storage support	Yes
Local storage type	Micro SD/SDHC/SDXC
Max. SD card capacity	Up to 128GB

Video intelligence

Alarm trigger	Motion detection, Privacy Masking
Video analytics	Audio exception detection, Intrusion detection, Line crossing detection, Region entrance detection, Region exiting detection
VCA filtering options	Human, vehicle or human&vehicle

Electrical

Operating voltage	24VAC 12VDC PoE+ (802.3at)
Power consumption	8W

Physical

Physical dimensions	Ø 115.8 × 327.8 mm (incl. back box)
Net weight	2 kg 4.41lb
Colour	Grey
Form Factor	Bullet

Environmental

Environment	Indoor / Outdoor
Operating temperature	-40°C to 65°C -40°F to 140°F
Relative humidity	90% or less, no condensation
IP rating	IP66

Regulatory

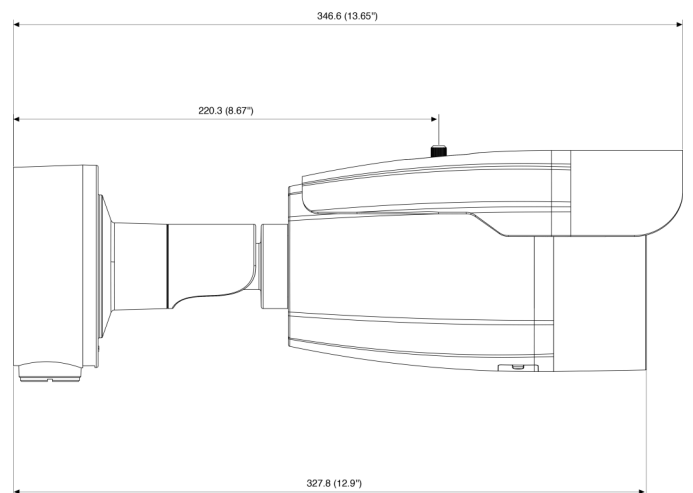
Compliance	CE, cUL, REACH, RoHS, UL, WEEE
------------	--------------------------------

Accessories

TVD-M-PMA	Pole mount adaptor
TVD-M-CMA	Corner mount adaptor

TVB-5707

TruVision IP Thermal Bullet Camera, Outdoor, VGA, 25mm Lens, 3D DNR, H.265/ H.264, ONVIF/PSIA, SDHC Card Slot, PoE+/12VDC/24VAC



As a company of innovation, UTC Fire & Security reserves the right to change product specifications without notice. For the latest product specifications, visit UTC Fire & Security online or contact your sales representative.

Last updated on 17 September 2020 - 17:01

